



Vitrans Automation

Website: www.vitrans-conveyor.com

**东莞市玮创自动化设备有限公司
Dongguan Vitrans Automation Co.,Ltd**



Vitrans Automation



VT CONVEYOR SYSTEM

WORKPIECE TRAY
CONVEYOR

TRANSVERSE UNIT
CURVE UNIT

LIFT UNIT
POSITIONING UNIT

ROTATOR UNIT
CONTROL UNIT

Company Profile

Vitrans is the first domestic R&D manufacturer of pallet conveyor system in China and the supporting comprehensive service provider of customized conveyor system. It has 9 years of experience in the production and application of conveyor units. In addition to focusing on the R&D, production and sales of pallet conveyor system, Vitrans can also provide integrated service. We have agents around the world to provide assistance and service.

Vitrans provides

comprehensive services around the conveyor system, such as tooling, elevator device, dust cover, conveyor control system and other customized conveyor devices. Our product is widely used in various industrial fields.



Production plant



Production plant



Production plant



Conveyor System Overview

A Toothed Belt Conveyor



B Flat Belt Conveyor



C Roller Chain Conveyor



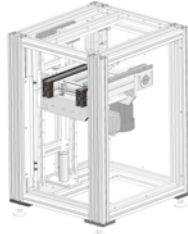
D Plastic Roller Chain Conveyor



E Flat top Chain Curve Unit



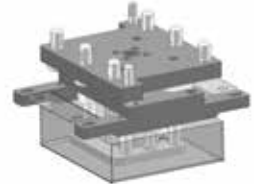
F Servo Lifer



G Cylinder Lifer



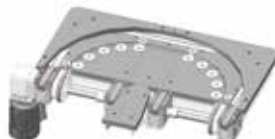
H Positioning Unit



I Lift Transverse Unit



J Round Belt Curve Unit



K Rotate Unit





Motor Assembly Line



Battery production Line



Household Product Assembly Line

Product Application



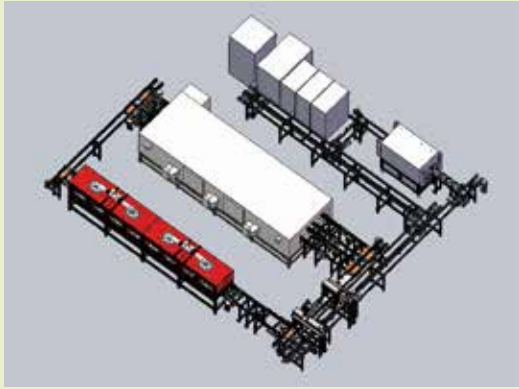
Auto part Assembly Line



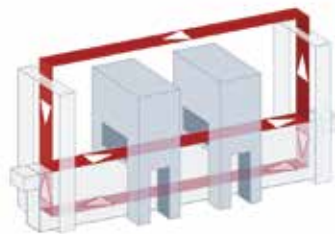
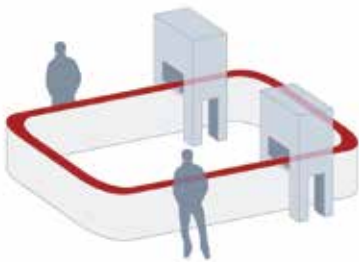
3C Product Assembly Line



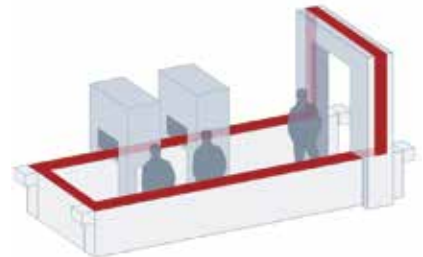
Other Application



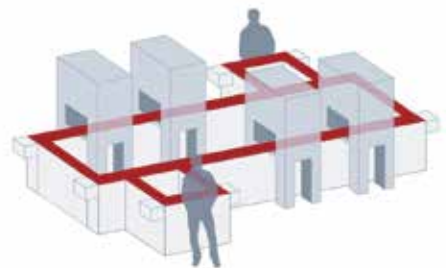
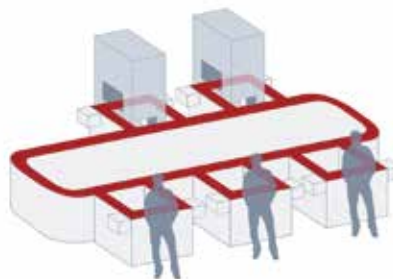
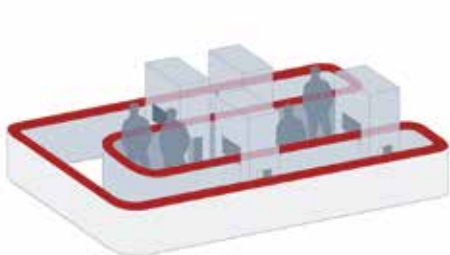
Multiple Layout Designs



Alt.A

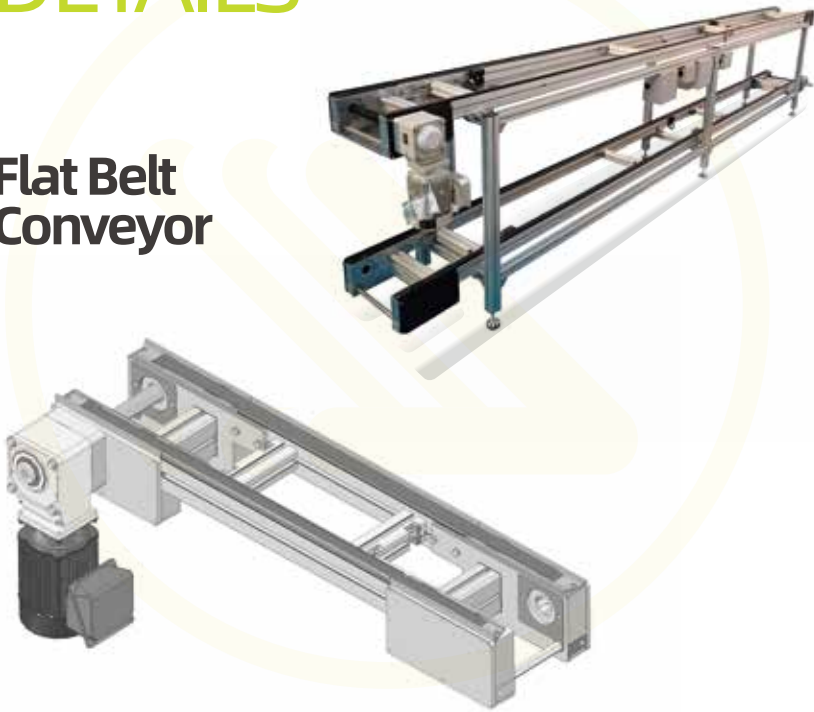


Alt.B

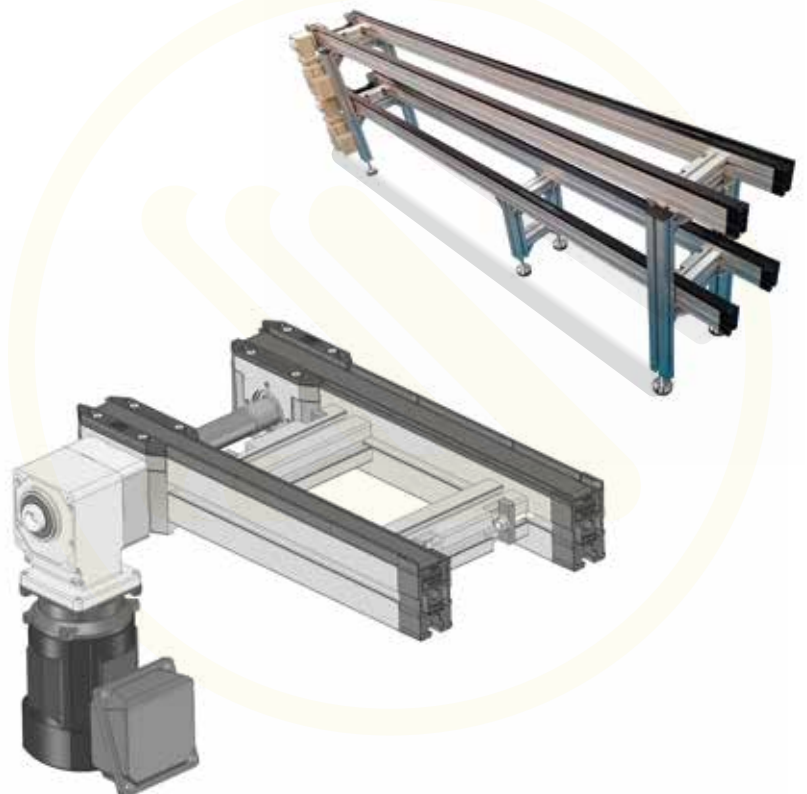
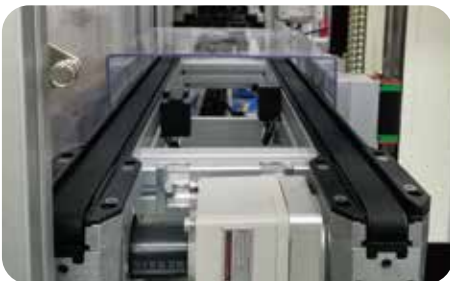


PRODUCT DETAILS

Flat Belt Conveyor



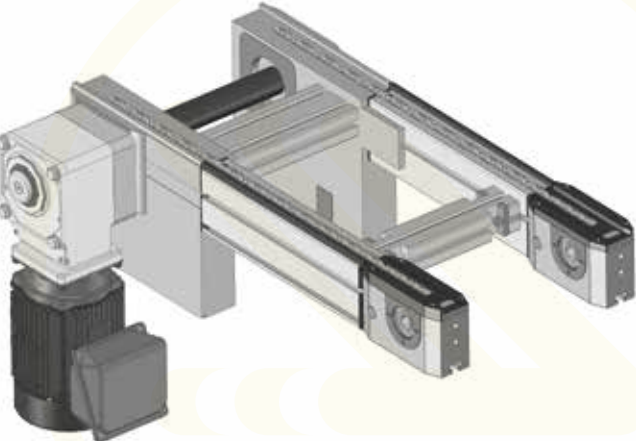
Toothed Belt Conveyor



Roller Chain Conveyor



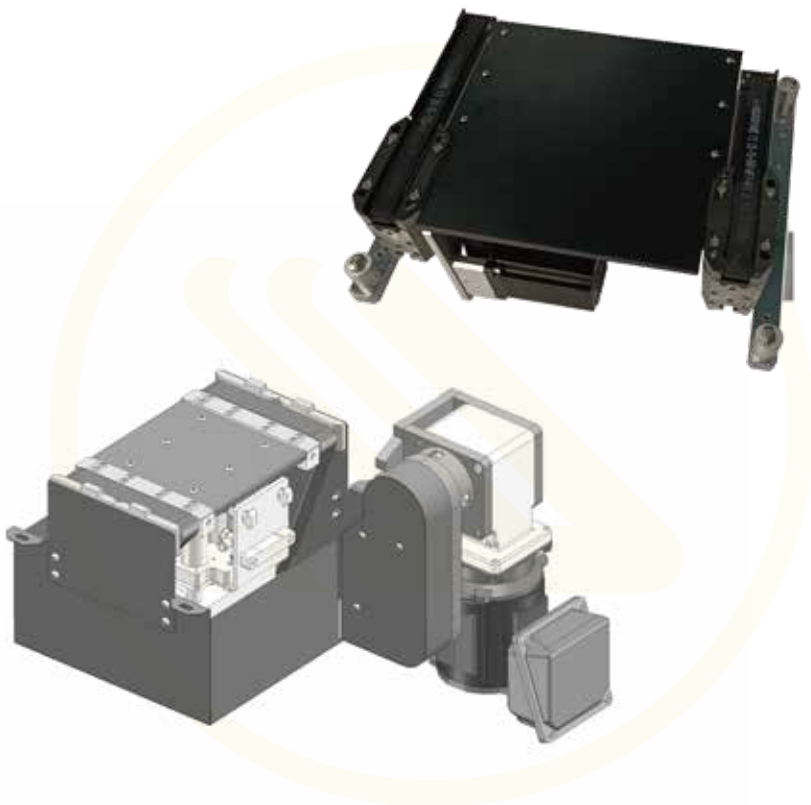
Plastic roller chain conveyor



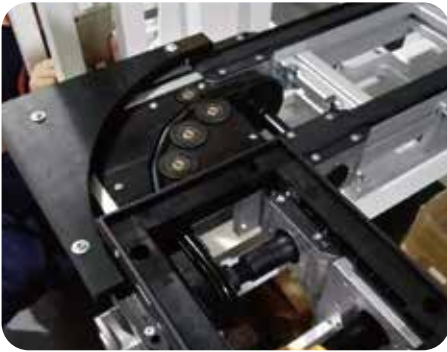
Pallet



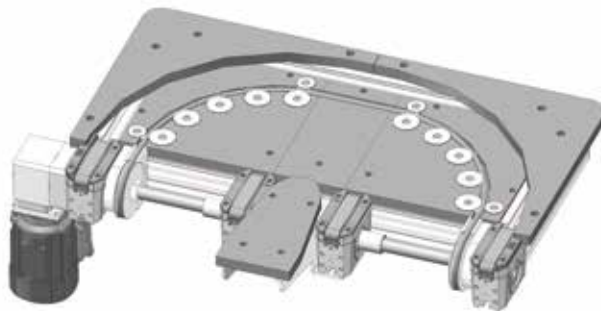
Lift Transverse Unit



Round belt 90 degree Curve



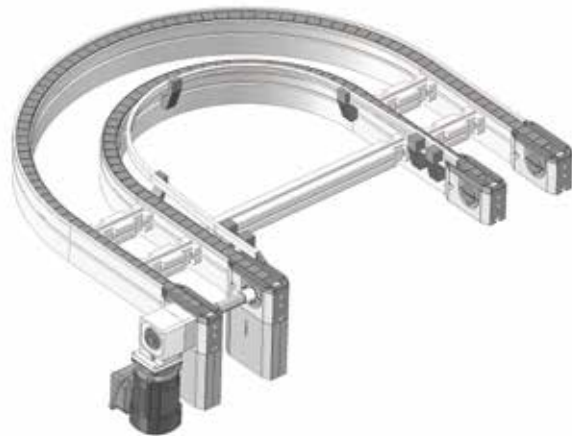
Round belt 180 degree Curve



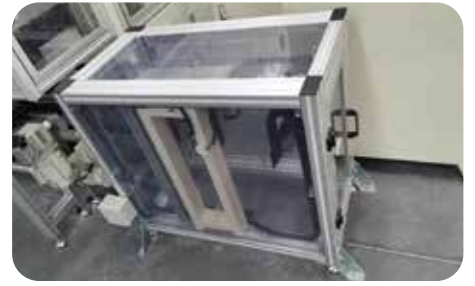
Flat top chain 90 degree Curve



Flat top chain 180 degree Curve



Lifter

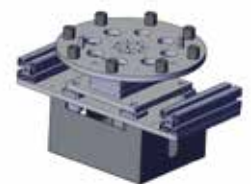


Other Modules

Lift positioning Unit



Lift rotating Unit



60KG Stopper- Damping



150KG Stopper- Damping



250KG Stopper -Non damping



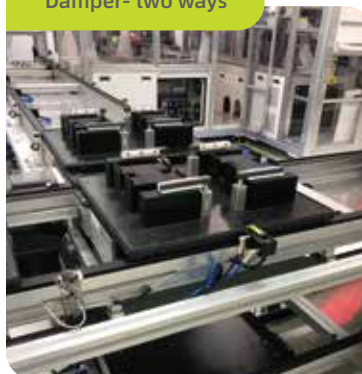
Returning Stopper



Damper-one way



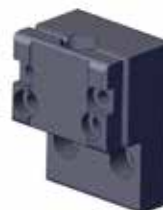
Damper- two ways



Sensor bracket-side



Sensor bracket-bottom



LetterPatent

