

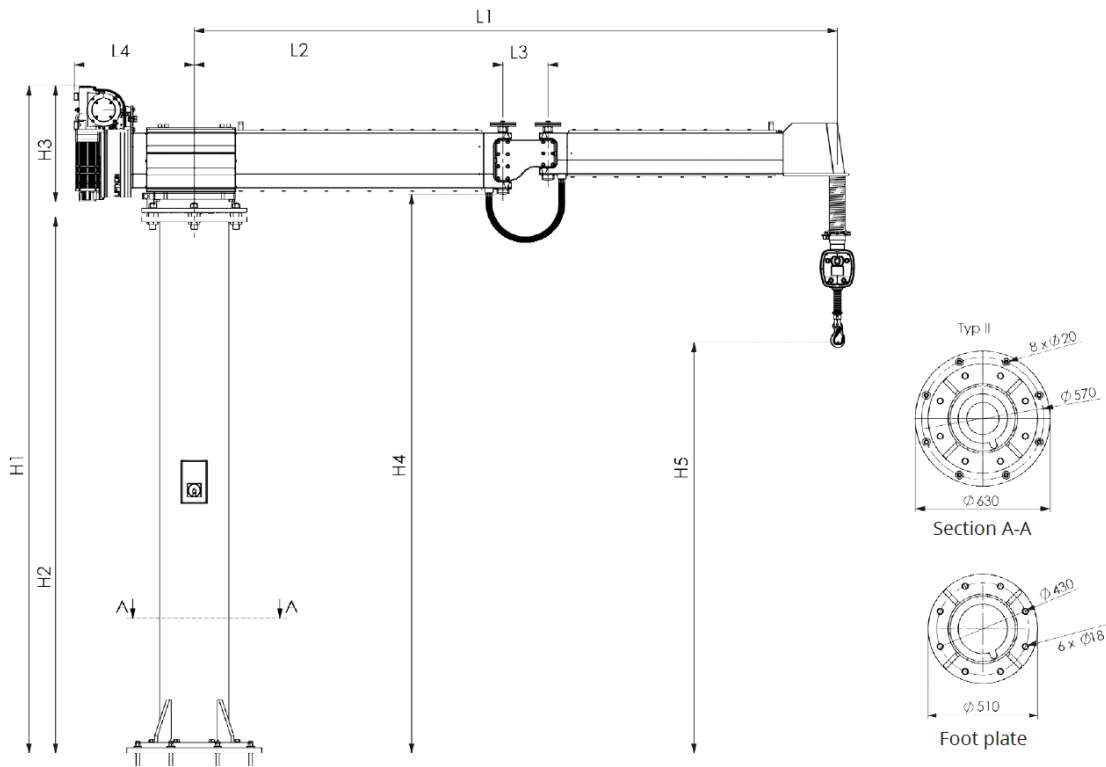
iASCENT K300 C

KLAAR

Column mounted rope balancer

The iASCENT articulating arm system allows effortless handling of up to 300kg (660lbs). While firmly standing its ground it reaches everywhere within a radius of 4.5m (14.7ft)





mm	L1	L2	L3	L4	H1	H2	H3	H4	H5	Mobile base plate	Load distribution plate (required for floor mounting)
Type						Column height (Standard)			max.	1.500 x 1.500 mm (x = optional)	
K300 C	2.500	1.190	210	585	3.106	2.500	520	2.605	1.890	x	Type 2
	3.000	1.440								on request	Type 2

Technical Data K300 C	
Load capacity	max. 300 kg
Load capacity	230 V / 1.900 VA / single phase / 10 A / Typ C
Drive	Servomotor
Lifting speed	max. 327 mm/s
Swivel arm	Light swivel arm (with middle hinge) of anodized aluminium profiles; optional special lengths available.
Column	Vertical column made of tubular steel in standard height H2=2.500mm; optional column heights available.
Up / Down movement	The ups and downs are initiated by the operating handle of the operating unit. Upon release the handle motion is immediately stopped.
Installation	Floor mounting with floor anchors (6x M16 – see drilling diagram); our recommendation HIT-Z-D Hilti (chem. anchor with dynamic set) OR screw fitting on mobile base plate. Ground condition: cracked and non-cracked concrete min. C20/25, max. C50/60 (B25-B55), min. 170 mm thick.

Contact

Klaar GmbH
Kaiserau 2
51789 Lindlar

+49 (0)171 5440946
info@klaargmbh.de
www.klaargmbh.de

