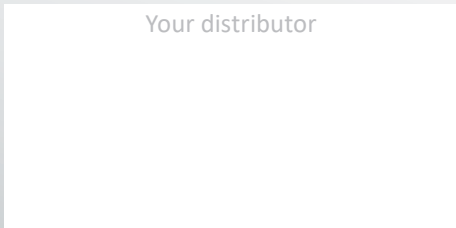


# TBASL-Series

Battery Tightening Tool



Your distributor



*Premium Power Tools*



MADE IN GERMANY



**HS-Technik** GmbH  
High - System - Technik

# TBASL-Series

## Overview technical data

- Extremely short design for good accessibility
- High precision shut-off clutch
- Programmable speed (HST-Tool-Manager)
- Multi-color status LED
- Intelligent battery management
- Adjustable work area LED<sup>1</sup>
- Result visualisation via work area LED (green light = OK / red blinking = NOK)<sup>2</sup>
- Large lever start for optimized handling



Model	Torque	Maximum speed	Tool adapter	Dimensions L x W x H	Weight
TBASL-5-2	1.0 - 4.5 Nm (8.85 - 39.83 lbf in)	590 rpm	1/4" square	329 x 72 x 92 mm (12.95 x 2.83 x 3.62 in)	1.20 kg (2.65 lbs)
TBASL-5-4	1.0 - 4.5 Nm (8.85 - 39.83 lbf in)	590 rpm	1/4" - Form E	329 x 72 x 92 mm (12.95 x 2.83 x 3.62 in)	1.20 kg (2.65 lbs)
TBASL-10-2	1.5 - 9.0 Nm (13.28 - 79.66 lbf in)	590 rpm	1/4" square	329 x 72 x 92 mm (12.95 x 2.83 x 3.62 in)	1.30 kg (2.87 lbs)
TBASL-10-4	1.5 - 9.0 Nm (13.28 - 79.66 lbf in)	590 rpm	1/4" - Form E	329 x 72 x 92 mm (12.95 x 2.83 x 3.62 in)	1.30 kg (2.87 lbs)
TBASL-20-3	5.0 - 20.0 Nm (44.25 - 177.01 lbf in)	290 rpm	3/8" square	322 x 72 x 92 mm (12.68 x 2.83 x 3.62 in)	1.30 kg (2.87 lbs)
TBASL-5-91901323	1.5 - 5.5 Nm (13.28 - 48.68 lbf in)	310 rpm	1/4" square	335 x 72 x 92 mm (13.19 x 2.83 x 3.62 in)	1.40 kg (3.09 lbs)

Dimensions and weight indications without battery.

### 1 Multi-colour LED

Tool status information for operator.

### 2 Brushless motor

for a higher idle speed and faster, powerful working capacity, maintenance-free

### 3 Clutch entry

Quick and easy clutch adjustment

### 4 Clockwise / counter clockwise direction

perfect operation thanks to push trigger

### 5 Start trigger

ergonomic form

### 6 18 V Li-ion battery

18 Volt, 2.5 Ah / 5.0 Ah

### 7 LED for work area lighting

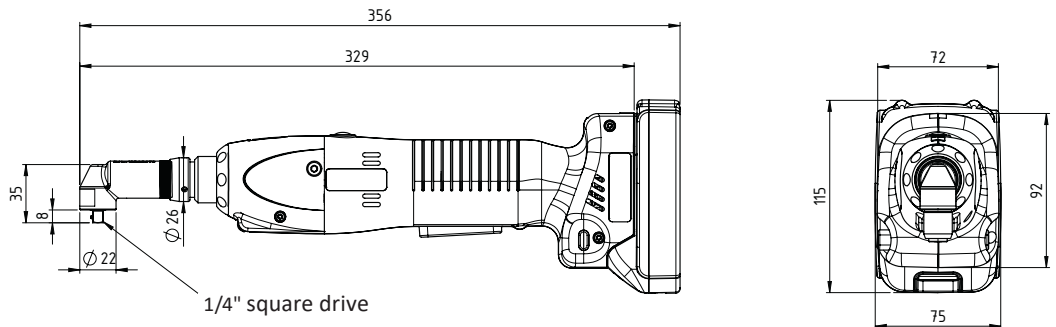
### 8 Angle head



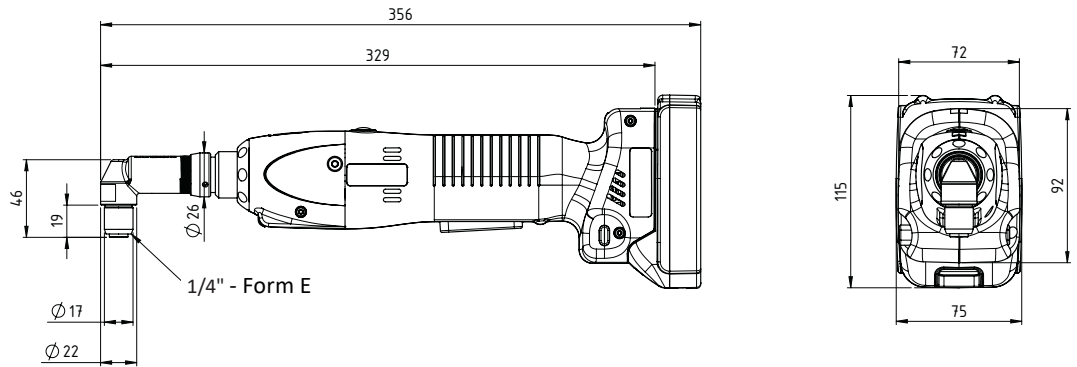
# TBASL-Series

## Drawings

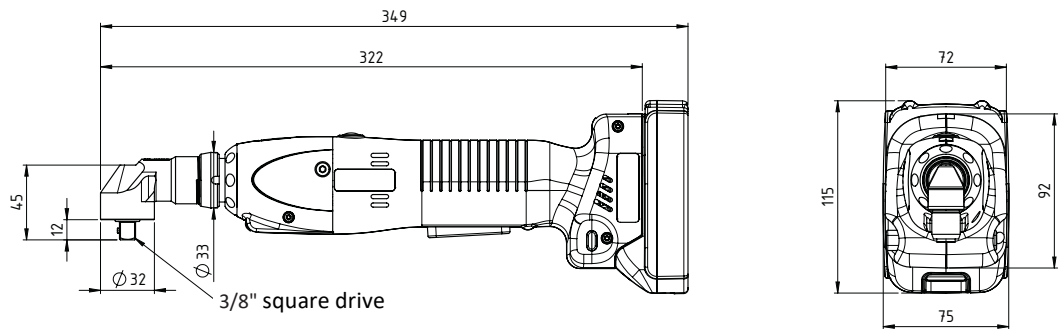
TBASL-5-2  
TBASL-10-2



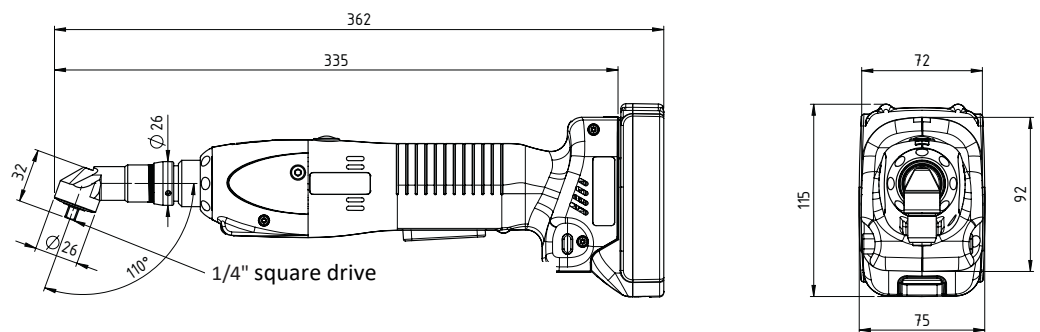
TBASL-5-4  
TBASL-10-4



TBASL-20-3



TBASL-5-91901323



# **HS-T***technik* GmbH

**High - System - Technik**

Im Martelacker 12  
D-79588 Efringen-Kirchen  
Phone: +49 (0) 76 28 - 91 11-0  
Fax: +49 (0) 76 28 - 91 11-90  
E-mail: [info@hs-technik.com](mailto:info@hs-technik.com)  
Internet: [www.hs-technik.com](http://www.hs-technik.com)

© Copyright July 2023

Subject to modifications and errors. All figures are non-binding.

We reserve the right to make technical changes to our products and the range of products as a result of further development.

Reproduction and the use of texts, even excerpts of our brochures is prohibited and will be prosecuted.