



EC66 | 6-axis Collaborative Robot

EC SERIES



6kg
Payload



914mm
Radius



± 0.03 mm
Repeatability



2.8m/s
Max TCP Speed



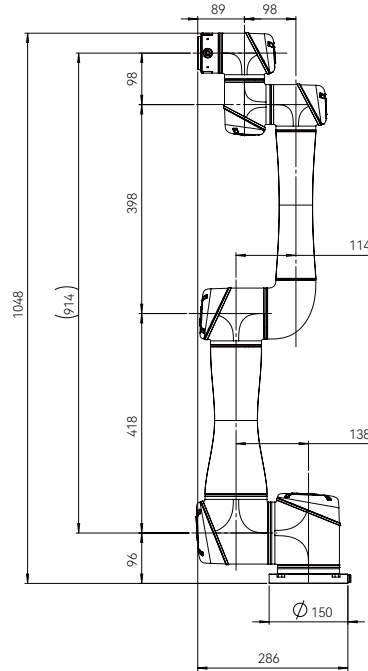
EC66

EC SERIES

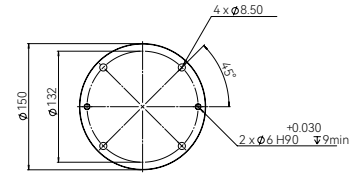


Robotic Arm

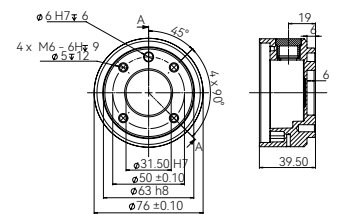
| | |
|------------------------------------|---|
| Payload | 6kg |
| Radius | 914mm |
| Repeatability | ±0.03mm |
| Axis | 6 |
| Joints rotation | J1-J6 ±360° |
| Joints speed | J1-J2 150°/s J3 190°/s J4-J6 260°/s |
| Max TCP Speed | 2.8m/s |
| IP rating | IP54 |
| Operating Temperature range | 0-50 °C |
| Relative humidity | 5%-95% (non-condensing) |
| Typical power usage | 250w |
| Mounting | Any angle |
| Tool I/O connector | 12 pin |
| Tool I/O ports | 2 DI, 2 DO, 1 AI, 1 AO |
| Tool I/O power supply | 24 V |
| Tool I/O communication | RS485 |
| Footprint | Ø 150 mm |
| Weight | 17.5kg |
| Material | Aluminum, Steel |
| Cable length | 5.5m |
| Certifications | EN ISO 10218-1 |



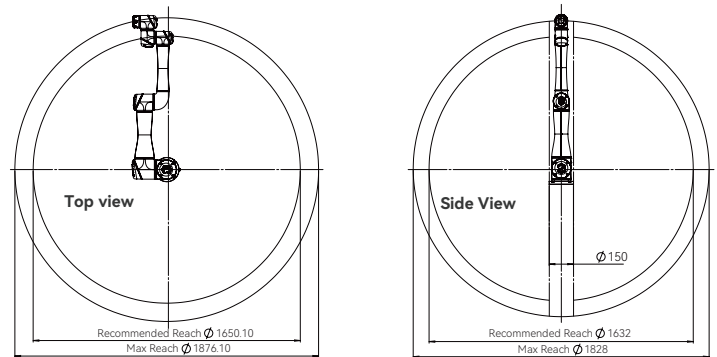
EC66 external dimensional drawing



EC66 base top view



EC66 end flange



EC66 working range diagram

Teach-Pendant



| | |
|----------------------------|--|
| Size | 290mm x 225mm x 118mm |
| Screen display size | 8.1" |
| Resolution | 1280 x 800 pixels |
| Material | Aluminum, Plastic |
| Weight | 1.8 kg |
| Cable length | 5.5 m |
| IP rating | IP65 |
| Input method | Resistive touch-screen, physical buttons |

Controller



| | |
|--------------------------------|---|
| Size | 505mm x 448mm x 245mm |
| Material | Aluminum, Steel |
| IP rating | IP44 |
| I/O ports | 16 DI, 20 DO, 2 AI, 4 AO |
| I/O power supply | 24V; 2A (internal) |
| Communication ports | 1 Ethernet port, 1 RS485/RS232, 1 USB 2.0 |
| Communication protocols | TCP/IP, MODBUS TCP/RTU, EtherNet/IP, Profinet, CCLink |
| Power source | 100-240 VAC, 50-60 Hz (M: 19-72VDC) |