

INDEX	
Description multifunctional tower B-System	2
Components B-Equipment and functions	4
How to make the most of your B-Equipment?	6
Assembly and installation	7
Technical specifications	12
Webside information	15

The multifunctional tower **B-System** from Weelko

Do you aim to offer a complete service to your customers but you count on a small space? Make use of the versatile B-System and build up your workspace to measure.



**Enlarge your treatment range at your
own pace!**

Our technical ZOOM reveals all the details and functions and affords you the possibility to know our equipment in great depth. The compact multifunctional trolley B-system is put in the Weelko spotlight. Discover everything here inside!

DESCRIPTION AND COMPONENTS OF THE B-SYSTEM EQUIPMENT (REF. 3021) FROM WEELKO

All about the multifunctional tower B-System

To keep yourself healthy and young to the maximum, you should take care of your health at each level and carry out regular treatments that will doubtlessly help maintain a much healthier skin. The multifunctional tower B-System from Weelko (Ref. 3021) offers you the possibility to combine different functions so as to create an ideal work tool that exactly adapts to the specific work needs of each professional.

Components and B-System functions

The indispensable tools are standardly adapted to the set which consists of a **steamer**, a **magnifying lamp**, a **multifunctional trolley** and a **towel warmer**. The tower is likewise composed by 6 compartments to make your B-System to measure, according to the certain needs at any time. In our catalogue, you will find the series B-EQUIPMENT, consisting of 9 instruments of different functions so that you can complete your multifunctional tower.

At your disposal there is the **skin scrubber**, the **ultrasound**, the **galvanic**, the **high frequency**, the **rotary brushes**, the **vacuum and spray**, the **high-conductivity glove and bio-lifting**, the **hot and cold hammer** and the **microdermabrasion by diamond heads**. Find out here all the possibilities and create your own B-System!



Standard components

B-SYSTEM STEAMER (Ref. F-300DT)

In any cutaneous treatment, the ozone steamer is an essential tool that provides multiple benefits to the skin. For example, it softens the skin and the dead cells before the facial cleansing treatment, it helps open the pores so as to obtain a deeper exfoliation, it contributes to eliminate grease, blackheads, traces of make-up and dirt, it helps release natural toxins of the skin, it smoothes wrinkles before the treatments, it increases the blood circulation, it hydrates the skin, it improves its metabolism and helps renew it.



The ozone applied through the steamer has a germicide and anti-inflammatory effect. To provide extra comfort to the patient, the steamer F-300DT includes the aromatherapy option. The essential fragrances can be soaked up in a small pad placed next to the steamer vent in a practical accessible compartment.

Steamer treatment table according to the skin type

(Guiding instructions to be considered by the professional at each treatment)

Skin type	Distance	Time
Greasy skin or with circulation problems	35-40cm	15 Minutes aprox.
Normal or healthy skin	35-40cm	10 Minutes aprox.
Dry or sensitive skin	40-45cm	5 Minutes aprox.
Dilated capillary or inflamed blood vessels	40cm	5 Minutes aprox.



MAGNIFYING LAMP AMPLI (Ref. 1005T)

The magnifying lamp AMPLI (Ref. 1005T) is designed with a LED system that ensures a longer lifespan, apart from saving more energy (compared to other cold-light lamps) and being less liable to be defective. This lamp is conceived for any kind of treatment (skin diagnose, skin examination before and after treatments, semipermanent make-up and eyelash tinting).

TOWEL WARMER WARMEX (Ref. T-01)

An essential tool to offer a relaxing and comfortable moment during the treatments. WARMEX is equipped with ultraviolet light that acts as a germicide so that you can have wet and hot towels in perfect condition.



Components B-EQUIPMENT to complete the unit

Weelko has made 9 basic functions in facial treatments available for you in order you to customise the equipment. The multifunctional trolley can lodge 6 devices (to be chosen amongst the 9 functions shown here below). Another advantage of B-System is that you do not need to make up your mind at once, but you can complete your work station step by step!

SKIN SCRUBBER (REF. 311A)

The exfoliating spatula cleans at a very great depth and stimulates the cell regeneration. It emits very low frequency waves and vibrations that break the dirt adhered to the skin into tiny particles and soften without the steamer help. This makes very easy eliminating dead cells, blackheads, the dirt and multiple traces of the skin without damaging it and minimising the pain. The result: hydrated and radiant skin with a younger aspect. The skin must be slightly wet during the treatment, a facial tonic must be used.



ULTRASOUND (REF. 312A)

The application of ultrasounds favors the reduction of rides and scars, contributes to skin hydration and helps cosmetic actives to be well absorbed into the skin. The treatment with ultrasounds improves blood circulation and increases cell regeneration. The Weelko device allows choosing the type of wave: continuous for normal type skin and thicker tissue areas; combined wave for smoother skin areas and intermittent for sensitive skins. Always use a conductive lotion on the skin. Never apply on dry skin.



GALVANIC (REF. 313A)

The Weelko system for treatments with galvanic current means a progress regarding the traditional equipment, in which the patient needs to hold the pole on his/her hand during the treatment. The B-Equipment Weelko works when both handles are in touch with the area to treat. Multiple benefits are highlighted, such as rinsing treatments that soften and blend the grease deposits accumulated as fat in the follicles and also ionisation treatments that promote the products to be introduced into the skin. Apply a polarised lotion and select the pole in the corresponding handle, since the instrument needs to be set up with the same polarity as the product.



HIGH FREQUENCY (REF. 314A)

This function is used to clean the skin, kill skin bacteria, regulate the glandular activity and prepare the skin before the galvanic treatment by improving like that the penetration of the product into the skin. The conductive element that runs inside the electrodes can be argon, with its particular purple colour, used to disinfect or the neon, which gives it s orange colour, applied to give tone to the skin. No product is needed during the treatment.



ROTARY BRUSHES (REF. 315A)

The mechanical exfoliating process by means of brushes eliminates outer dead cells and the skin dirt, as well as the sweat excess or make-up traces. Through a pleasant massage it also stimulates blood circulation. The rotation speed is adjustable. An exfoliating product is needed to dampen the brush before starting the treatment.



VACUUM AND SPRAY (REF. 316A)

The vacuum function is the great ally of blackhead and whitehead removal, as well as acne or pore obstruction, daily dirt and persistent grease, such as make-up. By spraying a tonic, you can reduce the visibly reddened or inflamed areas. It also helps calm the skin.



HIGH CONDUCTIVITY GLOVE AND BIO-LIFTING (F-317A)

A massage using high conductivity gloves or electrodes helps improve the skin texture due to the activation of collagen and elastin. Its function is to stimulate the production of ATP, and provide the cells with more energy, so they can increase the production of fibroblasts, and by doing so, they give more energy to the muscles and tissue, resulting in a reaffirmation and strengthening effect.

This is a painless treatment and the client won't feel any muscular contraction, because it's a current very similar to the one produced by the body. The intensity is very low and its charge is not enough to stimulate the peripheral nerve fibres, therefore its application is at a sub sensorial level. The client usually can't feel the passage of current, but will see the effects of the tissue repair soon.

In both cases it's necessary to use conducting gel and dampen the gloves.



COLD AND HOT HAMMER (REF. 318A)

The heat that gives the hammer improves the blood circulation, relaxes the muscles and opens the pores for both improve the product penetration and prepare the skin for a deep cleansing. The cold side is used to calm the skin after the microdermabrasion treatments, to close the pores and to reduce rides. No product is needed in both cases.



MICRODERMABRASION BY DIAMOND HEADS (REF.319A)

Microdermabrasion is a precise and progressive controlled exfoliation on the horny layer (the most external layer of the epidermis), its result is a smooth, fresh and clean skin. It is specially designed to treat ageing, scars as a consequence of acne, stretch marks, blackheads and to prepare the skin for applying nutrients. It is a non-invasive and painless treatment for both young and adult skins and it does not require any product. Results can be noticed at the end of each session.



Remember that all the instruments of the series B-Equipment are also designed as table-top devices, so you can also place them on another trolley if you wish so.

Make the most of your B-System!

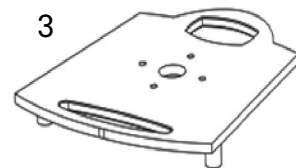
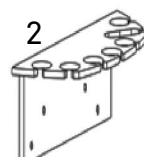
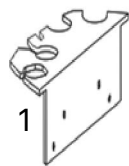
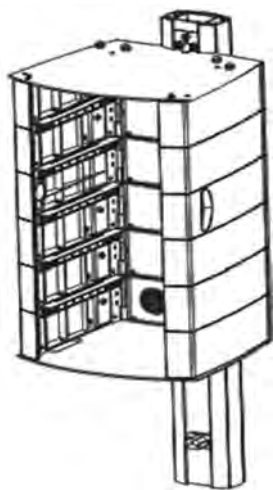
Here below we offer you, as an example, some advices to combine functions and to take advantage of all the possibilities that your multifunctional tower offers you:

- Warm up a towel and place it on the patient's skin to prepare and relax it before the treatment.
- Dampen the small pads of the B-System steamer with some fragrance, but remember to always use these pads. Never pour fragrances directly into the water reservoir.
- Prepare the skin and open the pores with the B-System steamer or use the heat of the hammer.
- You can now carry out the spot removal with the help of the magnifying lamp Ampli.
- Eliminate the spots on the skin and the daily accumulated dirt with a cleansing lotion with the help of the skin scrubber.
- Start the deep exfoliating session with the microdermabrasion by diamond heads.
- In order to close the pores, calm and soften the skin, use the cold side of the hammer.
- Apply a refreshing and hydrating lotion and sun filter cream (depending on the time of the year and weather).

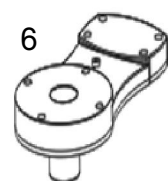
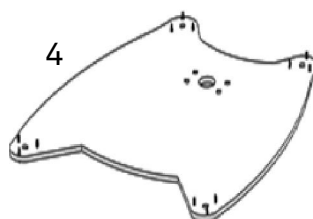
ASSEMBLY AND INSTALLATION

Here below the elements that compose the multifunctional trolley are listed

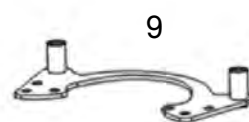
MAIN PART



1. Support for accessories (left)
2. Support for accessories (right)
3. Top shelf



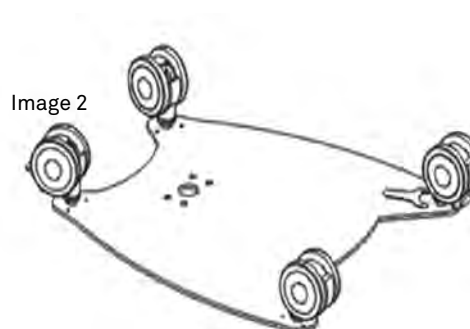
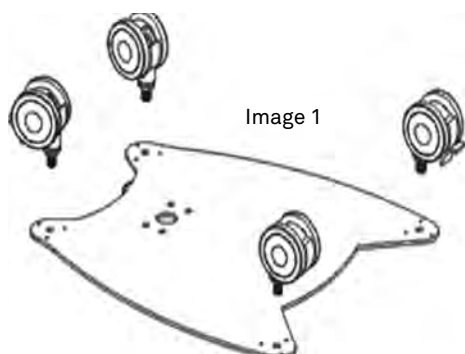
4. Trolley base
5. Wheel trim
6. Support for steamer



7. Cable
8. Wheels
9. Support for lamp

Assembly of the wheels at the base:

Screw the wheels at the base. You can use for that the tools included in the packaging (Image 1 and 2)



Place the corner pieces in the correct position and screw (Image 3 and 4)

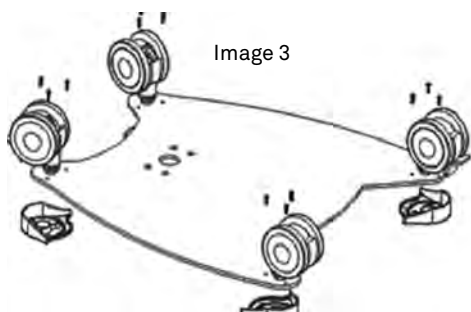


Image 3

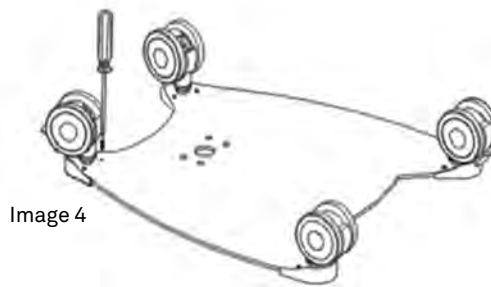
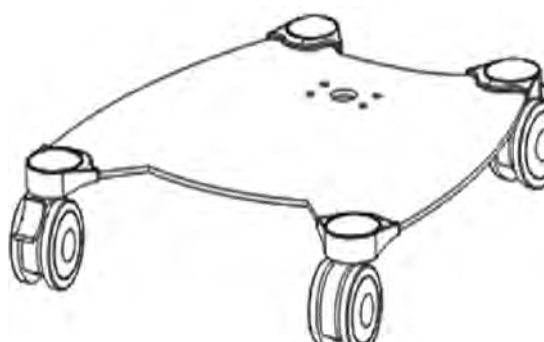
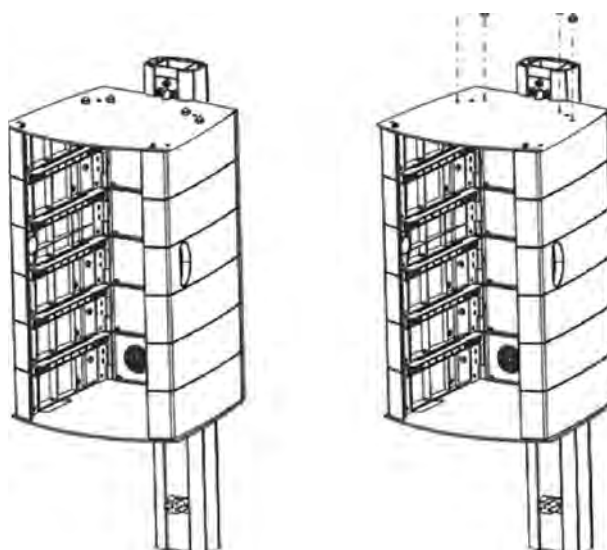


Image 4

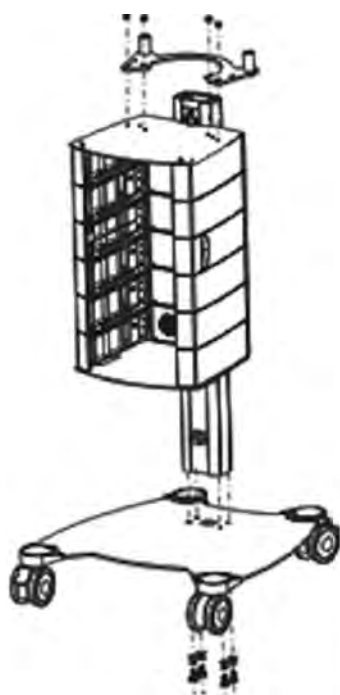
Turn the base to assemble the tower on it. (Image 5)



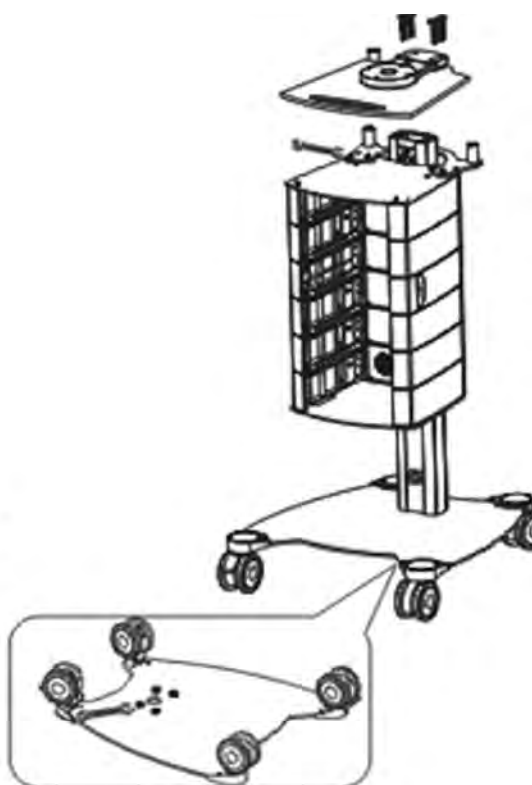
Place the screws to attach the support for the lamp. (Image 6)



Place the tower laterally and screw the base and the support for the lamp (Image 7).



Screw the glass shelf (Image 8)



Once the tower is assembled, screw the lateral supports for the accessories. Screw the support for the steamer with the Allen key too (Image 9). Now you can place the steamer on its support (Image 10).

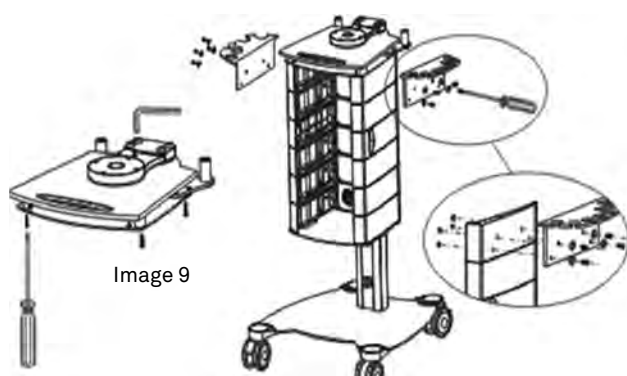


Image 9

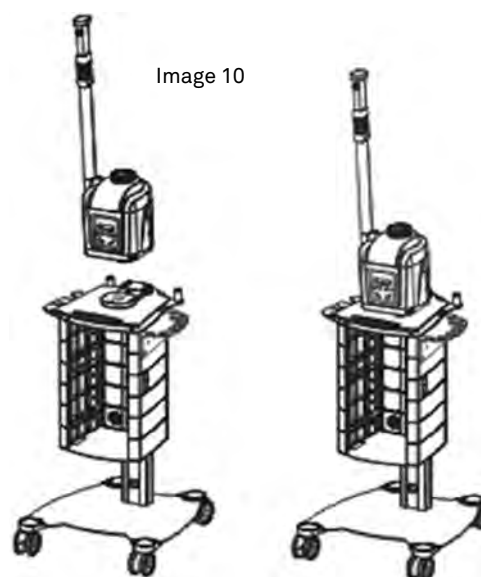


Image 10

Unpack the rest of instruments B-Equipment that form your B-System choice. Introduce them into the lodgements carefully. Make sure that you properly place them up to the rear to be plugged at the column (Image 11). Once you have all the equipment introduced, screw them (Image 12).

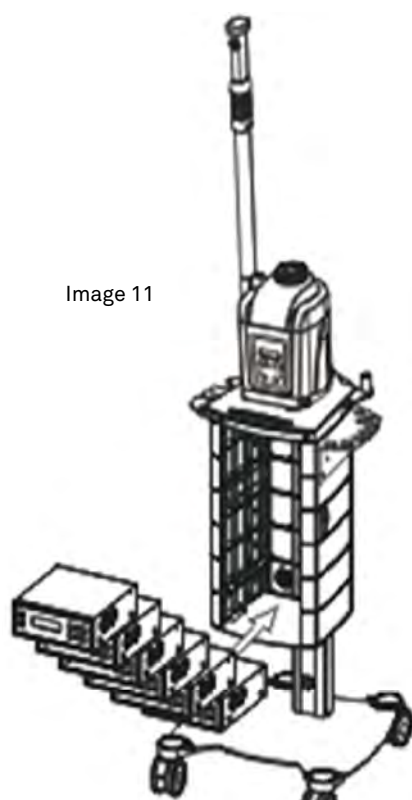


Image 11

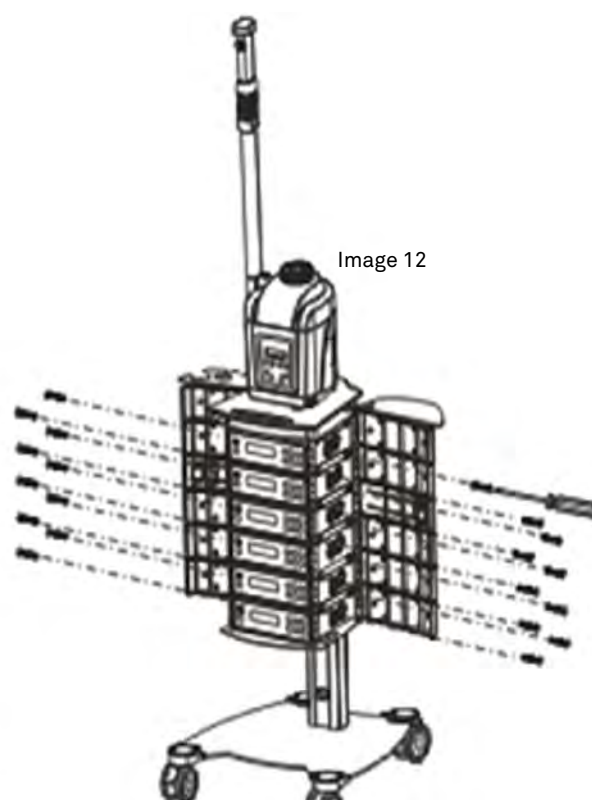
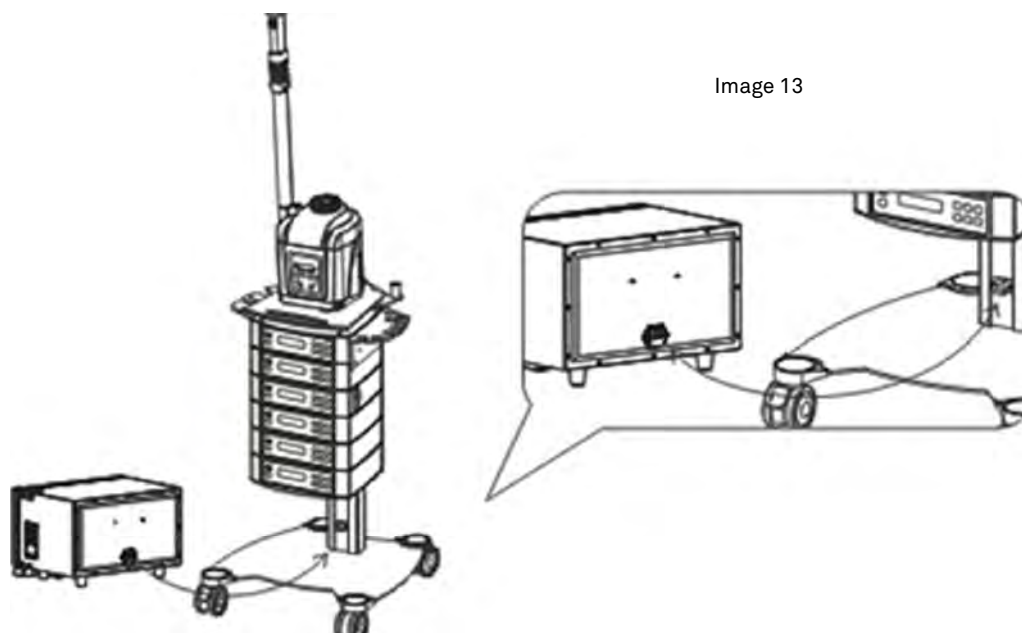
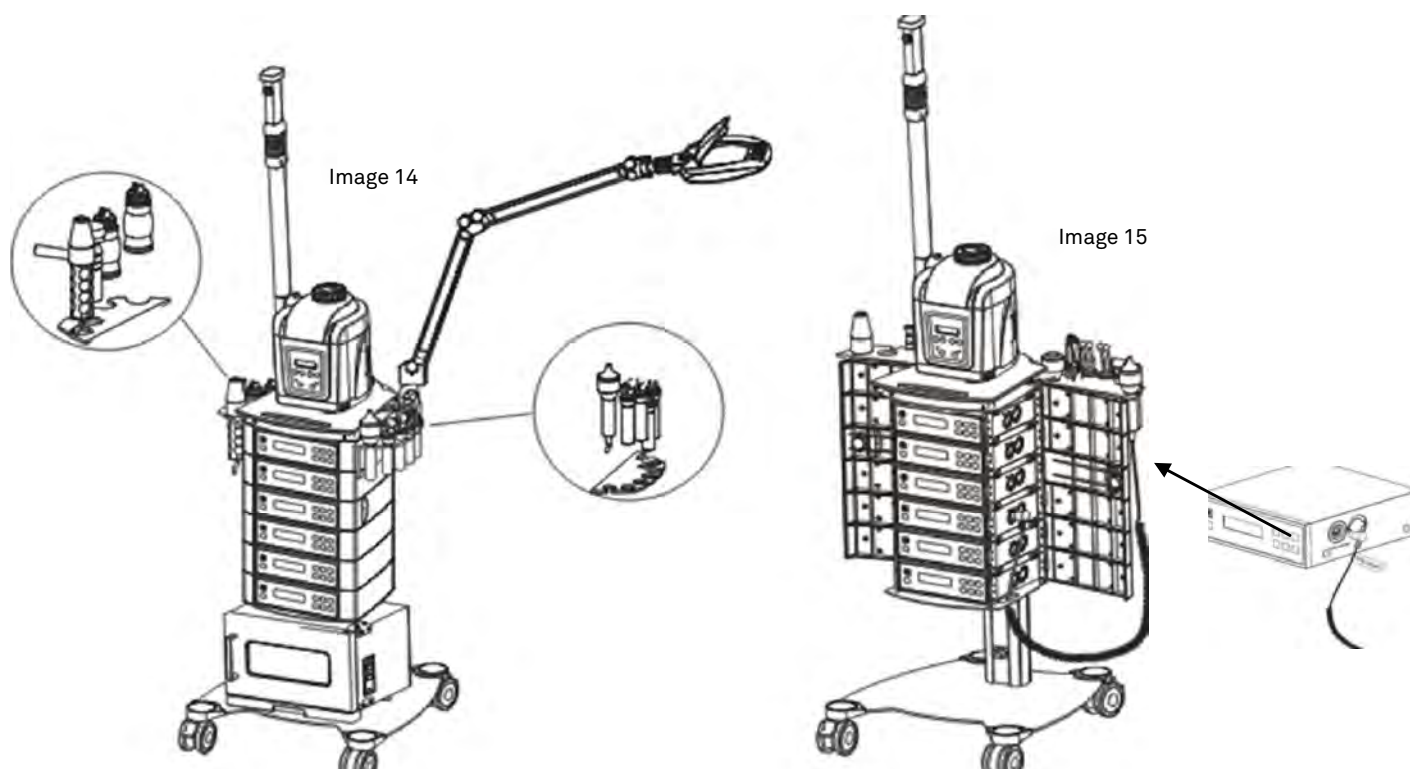


Image 12

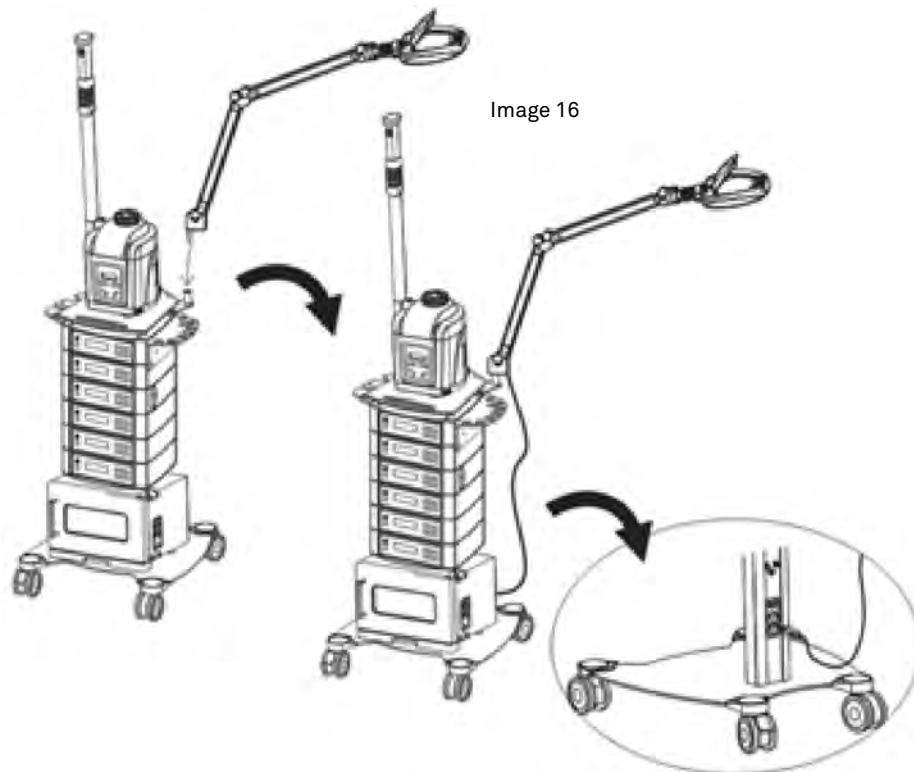
Now you can place the towel warmer. Check that all packing has been removed from the base. Tighten the equipment against the column to make sure they are well plugged (Image 13).



Plug all the accessories to their corresponding device (Image 14). For that, keep the trolley doors opened and make the cables go through the lower opening of the door. Check that none of the cables has been caught and close the tower doors (Image 15).



Introduce the lamp into its support and plug it at the rear of the column (Image 16). Plug the power cable at the rear of the column. Your B-System is ready for use! Read attentively the instructions of use of each device and sterilise the accessories before using them.



TECHNICAL SPECIFICATIONS

STEAMER B-SYSTEM (REF. F-300DT):

Adjustments	Head height (arm at 45°)	140 cm
	Arm rotation	150°
	Head rotation	3D
	Time for warming-up	6 minutes (aprox.)
Features	Capacity of water reservoir	1,3 litres
	Ozone to be switched on independently	
	Aromatic oil receptacle	
Electrical specifications	Rated voltage	220 V—240 V
	Rated frequency	50 Hz/60 Hz
	Rated power	800 W

MAGNIFYING LAMP AMPLI (REF. 1005T)

Features	3 dioptries with a focal spot of 5 dioptries	
	Intensity adjustment in 2 fixed positions	
Características eléctricas	Rated voltage	220 V—240 V
	Rated frequency	50 Hz/60 Hz
	Rated power	6 W

TOWEL WARMER WARMEX (REF. T-01)

Features	Capacity	7 litres
Electrical specifications	Rated voltage	220V—240V
	Rated frequency	50 Hz/60 Hz
	Rated power	164 W

PSKIN SCRUBBER B-EQUIPMENT (REF. F-311A)

Working features	Working power	6 W
	Working frequency	25-27 KHz
	Established working time	15 minutes
Electrical specifications	Rated voltage	220 V—240 V
	Rated frequency	50 Hz/60 Hz
	Rated power	20 W

ULTRASOUND B-EQUIPMENT (REF. F-312A)

Working features	Working power	0-3 W
	Working frequency	1 MHz
	Established working time	15 minutes
Características eléctricas	Rated voltage	220 V—240 V
	Rated frequency	50 Hz/60 Hz
	Rated power	20 W

GALVANIC B-EQUIPMENT (REF. F-313A)

Working features	Working intensity	30-500 μ A
	Working power	0-3 W
	Working voltage	30 V
	Established working time	15 minutes
Electrical specifications	Rated voltage	220 V—240 V
	Rated frequency	50 Hz/60 Hz
	Rated power	20 W

HIGH FREQUENCY B-EQUIPMENT (REF. F-314A)

Working features	Working power	10 W
	Working frequency	650.000 GHz
	Established working time	15 minutes
Electrical specifications	Rated voltage	220 V—240 V
	Rated frequency	50 Hz/60 Hz
	Rated power	10 W

ROTARY BRUSHES B-EQUIPMENT (REF. F-315A)

Working features	Rotation speed	0 - 550 RPM
	Established working time	3 minutes
Electrical specifications	Rated voltage	220 V—240 V
	Rated frequency	50 Hz/60 Hz
	Rated power	20 W

VACUUM AND SPRAY B-EQUIPMENT (REF. F-316A)

Working features	Aspiration pressure	0 ~ -0,07 MPa
	Established working time	15 minutes
Electrical specifications	Rated voltage	220 V—240 V
	Rated frequency	50 Hz/60 Hz
	Rated power	120 W

HIGH CONDUCTIVITY GLOVE AND BIO-LIFTING B-EQUIPMENT (REF. F-317A)

Working features	Working intensity	50 to 600 μ A
	Working power	2 W
	Working voltage	30V
	Established working time	3 minutes
Electrical specifications	Rated voltage	220 V—240 V
	Rated frequency	50 Hz/60 Hz
	Rated power	20 W

COLD AND HOT HAMMER B-EQUIPMENT (REF. F-318A)

Working features	Temperature	5°C to 40°C
	Established working time	15 minutes
Electrical specifications	Rated voltage	220 V—240 V
	Rated frequency	50 Hz/60 Hz
	Rated power	20 W

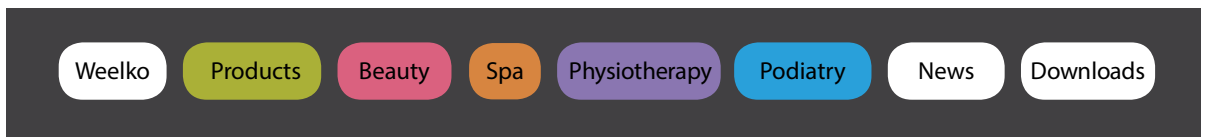
MICRODERMABRASION WITH DIAMOND HEAD B-EQUIPMENT (REF. F-319A)

Working features	Working power	65 W
	Working pressure	0-0,8 bar
	Established working time	15 minutes
Electrical specifications	Rated voltage	220 V—240 V
	Rated frequency	50 Hz/60 Hz
	Rated power	20 W



Visit our **TECHNICAL INFO** and download all the technical information that you may need. Pictures, dossiers, technical sheets, etc. Do not miss them!

Dossiers | Technical Zoom



Turn on the **WEELKO TV** at weelko.com. The best way to learn how to use our equipment. Because a picture is worth a hundred words!



weelko.com

Barcelona
Pol. Ind. La Valldan
Camí de Garreta,92
08600 Berga
Barcelona – Spain
T. +34 93 824 90 20
E. info@weelko.com